



DESCRIPTION

The xControl® LCD is a programmable control panel designed for use with MediaMatrix audio processing products. It is designed to operate as a simple source selection and volume control system for a room. It works in conjunction with an xControl device in an NWare project. It has capacitive touch buttons and a water resistant face. It is a two gang NEMA device, like the XControl 4x4, and uses the same EIA-485 X-Net communications system, allowing multiple units to be daisy-chained on a single line.

FEATURES

- Capacitive touch buttons
- LCD display
- Standard EIA-485 communications
- Water-resistant face
- Easy connection and installation
- Supports daisy-chaining
- Up to 31 xControl LCDs can be used with a single NION
- Can share the EIA-485 network with other XControl devices (XControl 4x4, for example)
- Built in data termination switch
- Configurable controls
- Bus or local power supply options
- Low power requirements
- Cost effective

APPLICATIONS

- Stadiums, theatres and arenas
- Cruise ships & tour boats
- Multi-purpose facilities
- Auditoriums
- Paging systems
- Schools & universities
- Courts of law
- Airports
- Theme parks
- Performing arts centers
- Hotel meeting room complexes
- Houses of worship
- Conference centers
- Teleconferencing systems
- Civic centers

Specifications

Front Panel

Buttons: Source, Level, Zone, Mute and Enter capacitive selector buttons.
Screen: 60mm x 32mm (2.36" x 1.26") LCD color: white on blue background, resolution: (128x64), contrast ratio: (3:1).

Mechanical

NEMA 2-gang finish plate, requires 57.2mm (2.25") clearance depth minimum.
Mount in metal box coupled to EMT conduit.

NOTE: Take care to ensure that conduit coupling hardware, wire or other terminating devices do not obstruct the installation of the circuit assembly.

Power requirements & connection:

12VDC and EIA-485 data via RJ-45 connector.
30mA per unit. One NION can supply power to up to 15 xControl LCDs.

NOTE: Use only unshielded, twisted pair cabling for EIA-485 network (CAT5-CAT6E). Maximum cable length for network circuit is 914m (3,000 ft.) under optimal conditions.

NOTE: The xControl LCD is not an Ethernet device and therefore cannot be powered using PoE.

Daisy-chaining supported. Termination via rear-panel switch.

NOTE: A maximum of 32 devices can be used on a single EIA-485 network. This includes devices of all types, i.e. xControl LCDs, NIONs, hubs, and so on.

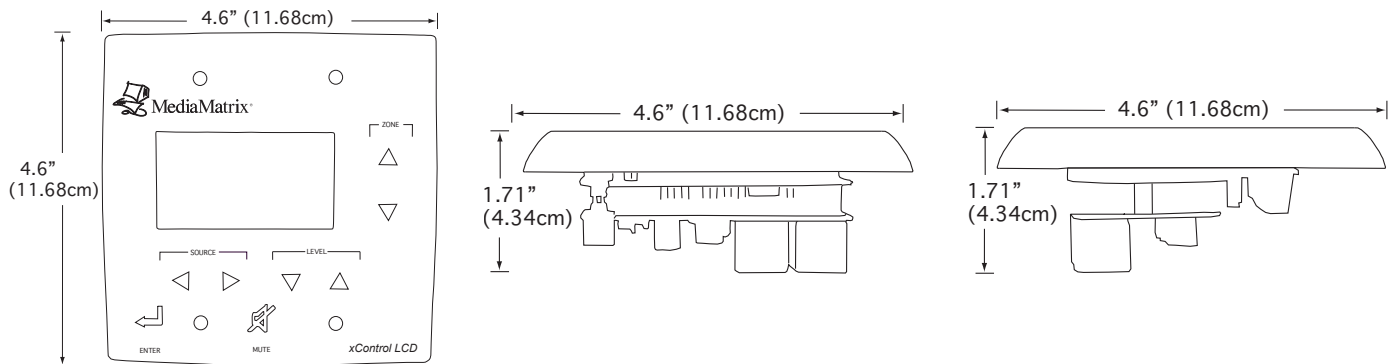
Finish:

Light gray plastic.

Net Weight:

0.155kg (0.34lbs).

Mechanical



Architect's & Engineer's Specifications

xControl LCD

The controller shall provide control of functions in a project designed using NWare. The controller shall be designed for mounting in a standard NEMA 2-gang, deep metal enclosure and shall include an unobtrusive light gray finish. The controller shall include two zone selector buttons, two source selector buttons, two level selector buttons, one enter button and one mute button, all configurable as "virtual" encoders via software. An LCD screen that displays the available configuration options shall be included. The base code of the controller shall be programmable via the front panel. The controller shall be powered via an RJ-45 connector at the rear, which is connected to a NION via the EIA-485 port. The controller firmware shall be upgradable from software or from a direct replacement of the firmware chip. The controller shall be the Peavey MediaMatrix® xControl LCD.

MediaMatrix®
Peavey Electronics Corporation